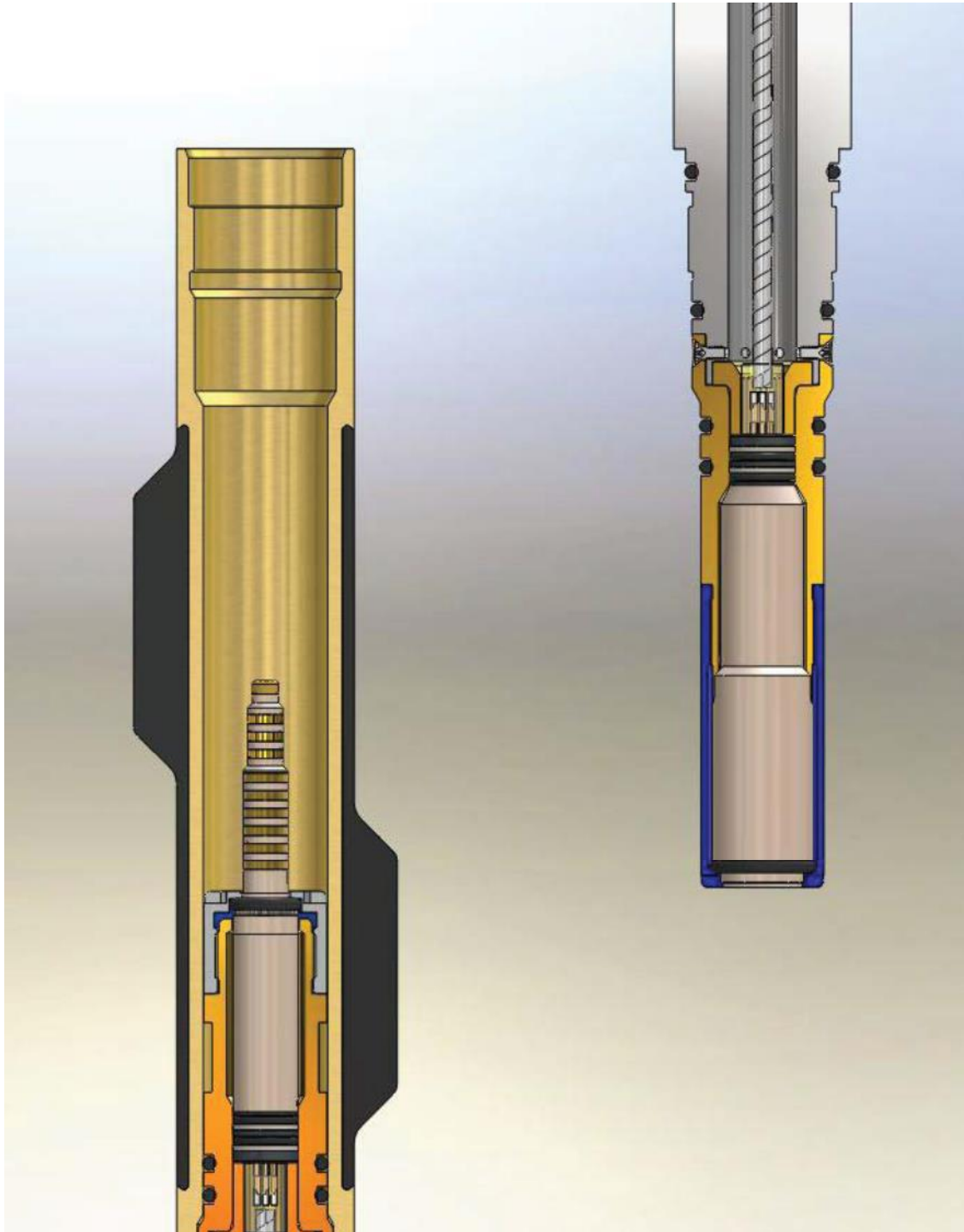




W-TECHNOLOGY  
**LINK**

# WTIR Rotatable Interconnect System

## For Modular Retrievable MWD Tools





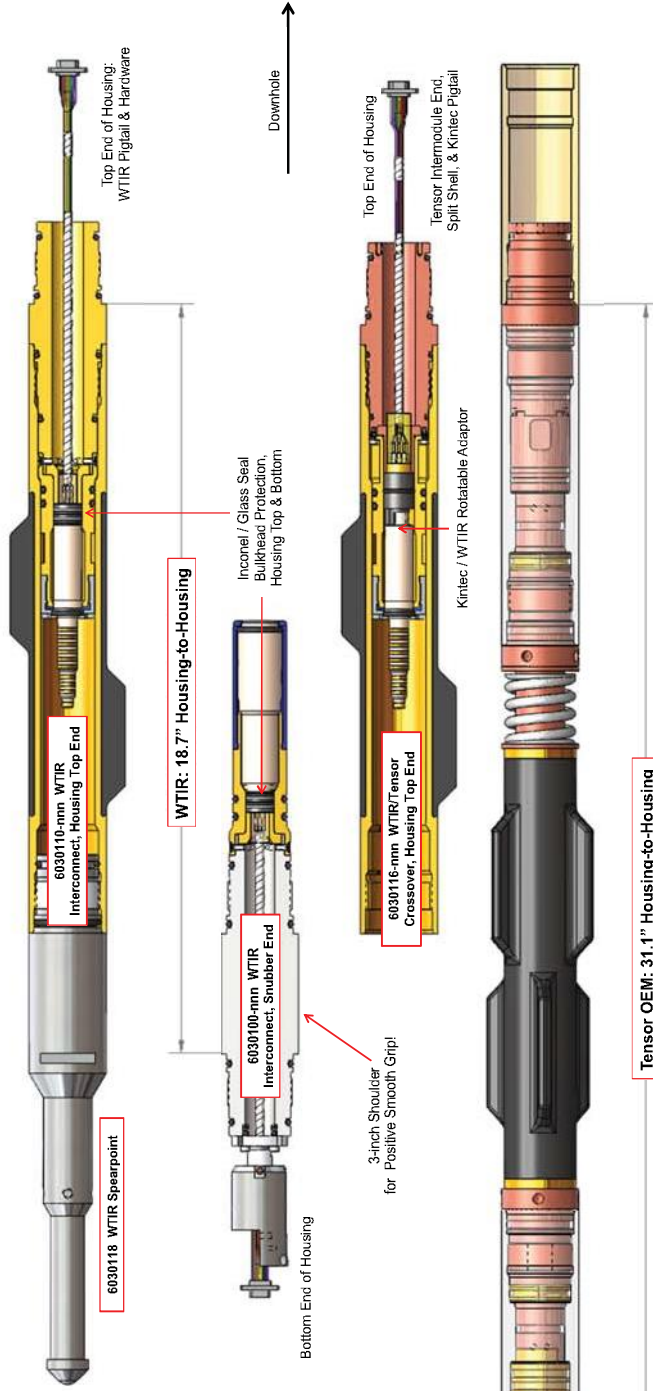
## **WTIR Rotatable Interconnect System For Modular Retrievable MWD Tools**

- **6030100-nnn: Snubber (bottom) Ends of Housings:**
  - **100** with Electronics Snubber and Pigtail
  - **200** with Battery/Gamma Snubber and Pigtail
- **6030110-nnn: Top Ends of Housings with WTIR Pigtail**
  - **100** with WTIR Electronics Transorb Pigtail, WTIR Intermodule End
  - **200** with WTIR Short Gamma Pigtail, WTIR Intermodule End
  - **210** with WTIR Long Gamma Pigtail, WTIR Intermodule End
  - **300** with WTIR Battery Intermodule End (for battery with WTIR Rotatable Connector Pigtail)
- **6030116-nnn: Top Ends of Housings with Kintec pigtail** - mates directly with 6030100
  - 100** with Kintec Electronics Transorb Pigtail, includes standard Tensor hardware w/ Intermodule End
  - 200** with Kintec Gamma Top Pigtail, Short Housing, includes standard Tensor hardware w/ Intermodule End
  - 210** with Kintec Gamma Top Pigtail, Long Housing, includes standard Tensor hardware w/ Intermodule End
  - 300** with Rotatable Adaptor-Connector, includes standard Tensor hardware w/ Battery Intermodule End
- **6030118 Spearpoint**
- **6030150 Universal Breakout Box (UBOB)**—With power indicators and detachable cables for Rotatable, Kintec, or custom-connector attachment
- **Miscellaneous:**
  - **1510400-100** (top pigtail connector) WTI Rotary Pin-Connector with 20k psi Bulkhead: For direct compatibility of top battery and driver pigtails with WTI Rotatable Interconnect System - Replaces hard-wired Kintec connector on pigtail.



# WTIR Rotatable Interconnect System

For Retrievable MWD and Wireline Tools



1515 Oil Center Boulevard  
Houston, Texas USA 77073  
www.wirelinetech.com  
Phone: 281.205.9111  
USA Toll Free: 1.888.592.2996